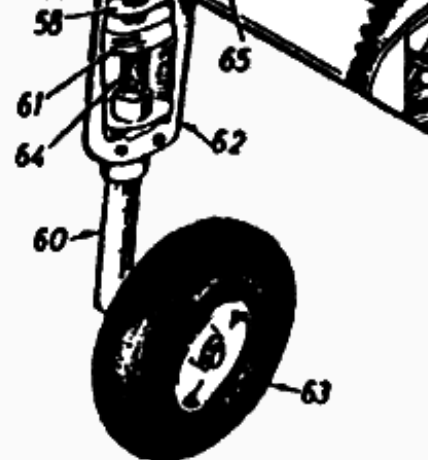


- 1 CONTINENTAL A65 or C90
4 CYLINDER AIRCOOLED ENGINE
- 2 MAGNETOS
- 3 CARBURETTOR AIR INTAKE & FILTER
- 4 WOODEN FIXED PITCH PROPELLER
- 5 ENGINE MOUNT
- 6 CABIN HEATING MUFF
- 7 CABIN HEAT BOX
- 8 OIL TANK
- 9 GALV IRON FIREWALL
- 10 PLY COVERING BOTH SIDES
- 11 COWL ATTACHMENT
- 12 ALUM. OR FIBREGLASS COWL
- 13 COOLING BAFFLES
- 14 FIBREGLASS SPINNER
- 15 ANTI-FRETTING WEBBING
- 16 RUDDER PEDALS
- 17 FUEL TANK (13 IMP. GALL.)
- 18 FUEL TANK CAP & LEVEL INDICATOR
- 19 CORK PACKING
- 20 INSTRUMENT PANEL
- 21 CONTROL STICK
- 22 FRESH AIR VENTILLATOR
- 23 CANOPY LOCK
- 24 SAFETY HARNESS
- 25 LUGGAGE BAY
- 26 AILERON CABLES
- 27 WING SECURING BOLTS
- 28 TURTLE DECK FORMERS. (PLY WEBS
& SPRUCE CAPSTRIPS)
- 29 PLYWOOD COVERING
- 30 SPRUCE LONGERONS
- 31 PLYWOOD GUSSETS
- 32 ELEVATOR TRIM CABLE
- 33 ELEVATOR CABLES
- 34 RUDDER CABLES
- 35 PLYWOOD COVERED TAILPLANE
- 36 FIBRE FARLEAD

- 37 TAILPLANE SPARS
- 38 SECURING BOLTS
- 39 ELEVATOR TRIM TAB
- 40 FABRIC COVERED ELEVATOR
- 41 ELEVATOR BELLCRANK
- 42 FABRIC COVERED RUDDER
- 43 RUDDER SPAR
- 44 LEAF SPRING MOUNTED TAILWHEEL
- 45 BOX SPAR
- 46 SPAR BOOMS
- 47 PLYWOOD DIAPHRAGMS
- 48 SPRUCE RIBS
- 49 TAPE RIB SUPPORTS
- 50 PLYWOOD LEADING EDGE
- 51 SPRUCE TRAILING EDGE
- 52 SPAR SPLICE
- 53 HAND GRIP
- 54 AILERON SPAR
- 55 COMPRESSION STRUT
- 56 PITOT & STATIC HEADS
- 57 UNDERCARRIAGE SECURING BOLTS
- 58 PLYWOOD DIAPHRAGMS SPACED OVER
RUBBER SHOCK ABSORBER 59
- 60 STEEL TUBE LEG FIXED TO ALUMINIUM
PISTON 61
- 62 SHEET STEEL FARING
- 63 LIGHT INDUSTRIAL WHEEL 450-8
- 64 RUBBER REBOUND TUBE
- 65 STALL WARNING RIDGE
- 66 WINGWALK
- 67 CLOCK
- 68 COMPASS
- 69 TACHOMETER
- 70 ALTIMETER
- 71 AIRSPEED INDICATOR

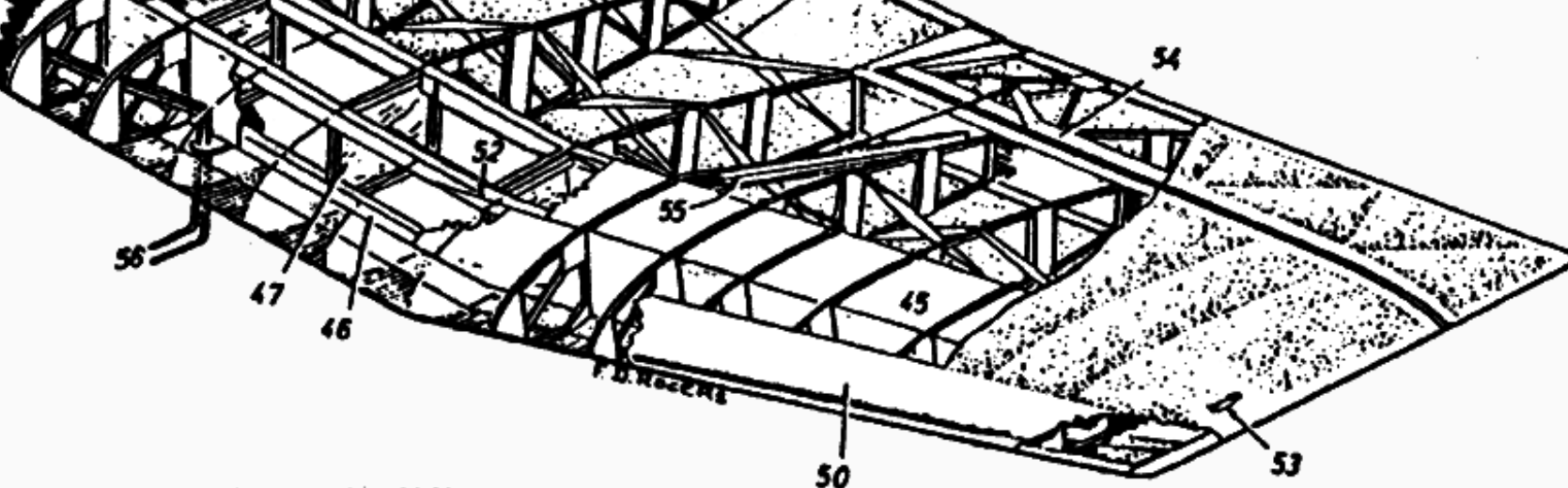


- 72 OIL TEMP & PRESSURE GAUGE
- 73 BALL BANK INDICATOR
- 74 THROTTLE CONTROL
- 75 MIXTURE CONTROL
- 76 CARBURETTOR HEAT CONTROL
- 77 CABIN HEAT CONTROL

LEAD

65 HP

WING SPAN	27'-0"
LENGTH OVERALL	21'-2"
WING AREA	137 SQ. FT.
ASPECT RATIO	5.3
WEIGHT EMPTY (with oil)	600 LB.
WEIGHT LOADED	1144 LB.
USEFUL LOAD	544 LB.
FUEL CAPACITY	13 IMP GAL
POWER LOADING	17.8 LB/HP
WING LOADING	8.4 LB/SQ FT.



- 78 FUEL COCK
- 79 DRAIN COCK
- 80 IGNITION SWITCH
- 81 DEVIATION CARD
- 82 FUEL SUMP

LOADING PARTICULARS

	90 HP		65 HP	90 HP
WING SPAN	27'0"	MAX SPEED	118 MPH	130 MPH
WING AREA	21'2"	CRUISING SPEED	105 MPH	118 MPH
WING LOADING	137 SO. FT.	LANDING SPEED	43 MPH	50 MPH
WING WEIGHT	53	INITIAL CLIMB	650 FT/MIN	800 FT/MIN
WING WEIGHT PER GALL	700 LB.	RANGE - STILL AIR	375 MILES	560 MILES
WING WEIGHT PER HP	1360 LB.	TAKE OFF RUN	150 YDS	150 YDS
WING WEIGHT PER SQ. FT.	632 LB.	LANDING RUN	130 YDS	150 YDS
	22 IMP GALL	MAX PERMITTED SPEED (vne)	155 MPH	155 MPH
	15 LB/HP	DESIGN STALL SPEED	31 MPH	35 MPH
	99 LB/SQ. FT.	CEILING	13000 FT	17000 FT
		LOAD FACTOR	6	6

JODEL D11 CLUB